
fuel-plugin-xenserver Documentation

Release 3.0-3.0.0-1

John Hua (john.hua@citrix.com)

March 24, 2016

1	Intro	1
2	XenServer Plugin for Fuel 8.0	2
2.1	Requirements	2
2.2	Limitations	2
3	Installation Guide	3
3.1	Install the Plugin	3
3.2	Add Management Network tool	3
4	Xenserver Fuel Plugin User Guide	4
4.1	Prepare infrastructure	4
4.2	Select Environment	5
4.3	Finish environment configuration	6
5	Further reading	8

INTRO

This document will guide you through the steps of install, configure and use of the XenServer Plugin for Fuel

XenServer is an Open Source hypervisor with commercial support options provided by Citrix. This plugin provides a new Release definition in Mirantis OpenStack to allow easy installation of production environments based on XenServer with Fuel.

XenServer is freely available from xenserver.org and can also be downloaded directly from citrix.com if you have a My Citrix account.

Documentation for XenServer can be found on docs.vmd.citrix.com and for how XenServer works within OpenStack at docs.openstack.org in the [OpenStack Configuration Reference](#) guide

XENSERVER PLUGIN FOR FUEL 8.0

2.1 Requirements

Requirement	Version/Comment
Fuel	8.0
XenServer	6.5 SP1 + Hotfix XS65ESP1013
XenServer plugin for Fuel	3.0.0

- This plugin will not install XenServer or configure the Virtual Machines used to run the OpenStack services. Installation of XenServer and configuration of these Virtual Machines must be performed manually.
- Each hypervisor must have the same access credentials as Fuel does not support per-node settings.
- One Virtual Machine, which will be used to run Nova (the compute node), must exist on each hypervisor. This must be created as an HVM guest (in XenCenter, use the “Other Install Media” template) and configured to PXE boot from the PXE network used by Fuel.
- XenCenter is expected to be used to configure VMs, and is required by the HIMN tool in the installation steps

2.2 Limitations

- The plugin is **only** compatible with OpenStack environments deployed with **Neutron with VLAN segmentation** as network configuration in the environment configuration options. The plugin will disable incompatible options when the XenServer Release is selected.

INSTALLATION GUIDE

3.1 Install the Plugin

To install the XenServer Fuel plugin:

1. Download it from the [Fuel Plugins Catalog](#)
2. Copy the *rpm* file to the Fuel Master node:

```
[root@home ~]# scp fuel-plugin-xenserver-3.0-3.0.0-1.noarch.rpm root@fuel-master:/tmp
```

3. Log into Fuel Master node and install the plugin using the [Fuel CLI](#):

```
[root@fuel-master ~]# fuel plugins --install /tmp/fuel-plugin-xenserver-3.0-3.0.0-1.noarch.rpm
```

4. Verify that the plugin is installed correctly:

```
[root@fuel-master ~]# fuel plugins
id | name | version | package_version
---|-----|-----|-----
9 | fuel-plugin-xenserver | 3.0.0 | 3.0.0
```

3.2 Add Management Network tool

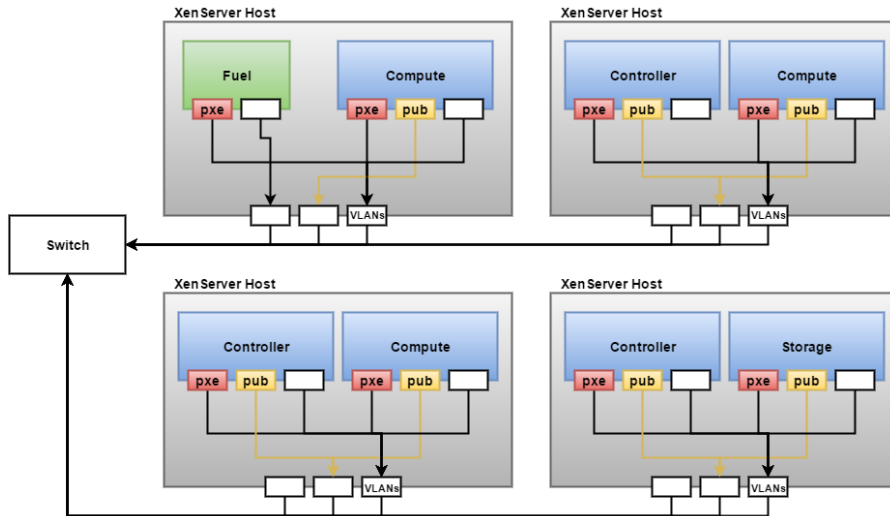
1. Download the HIMN tool [xencenter-himn-plugin](#)
2. Stop XenCenter if it is running
3. Install the HIMN tool
4. Re-start XenCenter

XENSERVER FUEL PLUGIN USER GUIDE

Once the Fuel XenServer plugin has been installed (following *Installation Guide*), you can create *OpenStack* environments that use XenServer as the underlying hypervisor

4.1 Prepare infrastructure

1. Everyone will have different infrastructure requirements. The additional requirements placed by XenServer are:
 - Compute nodes must be run as a Virtual Machine, with one VM per XenServer hypervisor
 - Ensure that the connectivity through to this virtual machine is the same as all other service nodes, as with standard Mirantis OpenStack setups
 - An internal network is added by the instructions below, to provide communication between the host and the compute VM.
 - Other service nodes (e.g. storage node) can also be created as virtual machines, but this is not required
2. Download and install XenServer 6.5 with SP1, Hotfix XS65ESP1013 and HIMN tool, a XenServer plugin, as install guide mentioned. Use it for future VM creation and network configuration.
3. While many networking setups are expected to work, the following setup is known to work:
 - Physical machines with three ethernet devices:
 - eth0 / “Access network”: Used to access the XenServer hosts and Fuel Master during setup.
 - eth1 / “Public network”: Used to connect Node servers to the outside world.
 - eth2 / “VLAN network”: Carries all traffic during setup + use of OpenStack. Untagged packets are tagged at the switch to ensure isolation from eth0 and eth1.
 - One virtual network
 - VLAN ‘A’ on eth1 / “PXE network”: Used for node bootstrapping.
4. To simplify the setup, the fuel master can also be installed on the XenServer hosts (so XenServer hosts can fully control the network setup), but this is not required. One example deployment, shown below, makes use of VLAN 19 for the “PXE network” and provides an isolated network for eth1 by tagging any untagged traffic at the switch with VLAN 237



4.2 Select Environment

1. Create a new environment with the Fuel UI wizard. Select “Liberty+Citrix XenServer on Ubuntu 14.04” from OpenStack Release dropdown list. At the moment you will see most of options are disabled in the wizard.

The screenshot shows the 'Create a new OpenStack environment' wizard. The 'Name and Release' tab is active. The 'Name' field is empty. The 'OpenStack Release' dropdown is set to 'Liberty on Ubuntu 14.04'. The 'Liberty-Citrix XenServer on Ubuntu 14.04' option is selected. A warning message is displayed below the dropdown:

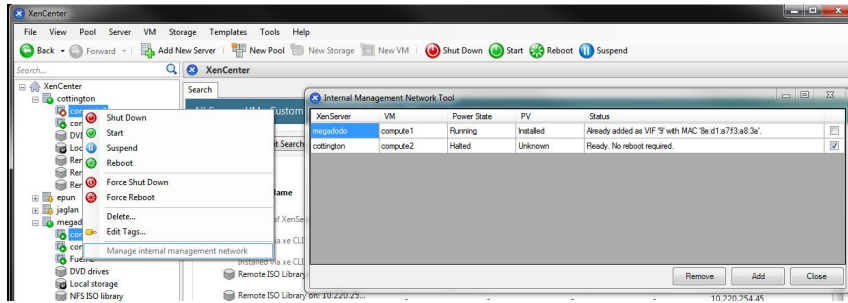
the Internet connection. If the Fuel Master node does not have access to the Internet, you must create a local mirror with all required software packages and configure Fuel to use the mirror before you deploy an OpenStack environment.

 Below the warning, a note states:

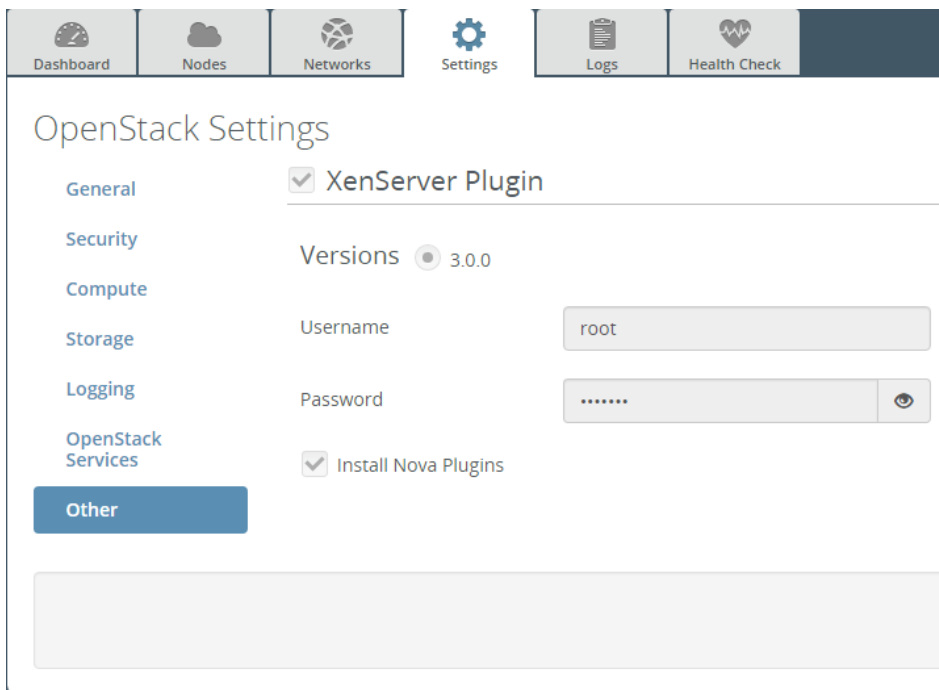
This option will install the OpenStack Liberty packages using Ubuntu as a base operating system. With high availability features built in, you are getting a robust, enterprise-grade OpenStack deployment.

 The wizard has a 'Cancel' button, a 'Prev' button, and a 'Next' button.

2. Create new VMs in XenCenter for the compute nodes
3. Select all Compute virtual Machines, Right click on one of the Virtual Machines and select “Manage internal management network”
4. Use the dialog to add the Host Internal Management Network to the compute virtual machines



5. Add new VMs to the new environment according to [Fuel User Guide](#) and configure them properly. A typical topology of 3 controller node2 + 3 compute nodes + 1 storage node is recommended.
6. Go to Settings tab and scroll down to “XenServer Plugin” section. You need to input the common access credentials to all XenServers that previously are used to create new VMs.



7. If the XenServer host already has compatible Nova plugins installed, untick the checkbox to install the supplemental packs. In normal cases, the XenServer host will not have compatible Nova plugins installed, so leave the checkbox enabled

4.3 Finish environment configuration

1. Run [network verification check](#)
2. Press [Deploy](#) button to once you are done with environment configuration.
3. After deployment is done, you will see in Horizon that all hypervisors are xen.

openstack admin

Project

Admin

System

Overview

Hypervisors

Host Aggregates

Instances

Volumes

Flavors


Images

Defaults

System Information

All Hypervisors

Hypervisor Summary



VCPU Usage
Used 2 of 12

Hypervisor [Compute Host](#)

Hypervisors

Hostname	Type	VCPUs (used)
megadodo	xen	0
jaglan	xen	1
cottington	xen	1

Displaying 3 items

FURTHER READING

Here are some of the resources available to learn more about Xen:

- Citrix XenServer official documentation: <http://docs.vmd.citrix.com/XenServer>
- What is Xen? by Xen.org: <http://xen.org/files/Marketing/WhatisXen.pdf>
- Xen Hypervisor project: <http://www.xenproject.org/developers/teams/hypervisor.html>
- Xapi project: <http://www.xenproject.org/developers/teams/xapi.html>
- Further XenServer and OpenStack information: <http://wiki.openstack.org/XenServer>